



Diaphragm Pressure Reducer

2682

- ✓ Protection for domestic installations
- ✓ Compact construction
- ✓ Easy to clean
- ✓ Adjustable pressure
- ✓ Supplied with manometer



HERZ Armaturen GmbH

A-1230 Vienna · Richard-Strauss-Strasse 22

Tel./Fax: +43 (0)1 616 26 31-0/-227, www.herz.eu



HERZ 2682 pressure reducing valve

The HERZ 2682 diaphragm pressure reducer protects installations against over pressure by reducing input pressure to a working level.

Application and maintenance

The pressure reducing valve can be used in installations for potable water. It can also be used in heating systems to protect boiler against increased pressure. The outlet pressure is adjustable and does not vary with changes of the inlet pressure. The outlet pressure can be adjusted by turning the green handle. Turning the handle clockwise increases the outlet pressure. Turning above the stated values on the pressure reducer scale may damage the valve. We recommend the max. outlet pressure

of 4 bar for private house installations (product long life, costs,...). After each new setting of the outlet pressure, the regulated pipe has to be opened and closed. We recommend maintenance by authorized installers according to DIN 1988. Check the filter condition in the regulator several times a year and, if it is necessary, clean or replace it with a new one. Tool for maintenance is included in every box of pressure reducer

Assembly

Before assembling rinse the system

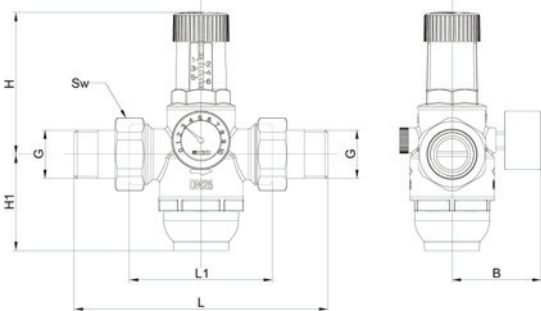
well. In potable water installations the pressure reducing valve is mounted behind the water meter. Install the pressure reducer in a horizontal position with the filter facing down. Take care of the flow direction, indicated on the housing. Proper operation requires a straight piece of at least 5x DN pipe before and after the pressure reducer. The attached manometer (can be mounted on both sides of the pressure reducer). Before and after the pressure reducer, it is necessary to install a closing valve.

Technical data

Max. inlet pressure:	16 bar
Outlet pressure range:	1-6 bar
On-site pre-installation:	3 bar
Maximum temperature:	40°C
	(for articles 1 2682 1X)
Maximum temperature:	70°C
	(for articles 1 2682 2X)
Manometer scale:	0-10 bar
Mesh perforatio:	0.3mm
Medium:	Water
Standard:	EN 1567
Pressure gauge connection:	1/4" F (ISO 228-1)
Connections:	external thread acc. to ISO 7-1 and ISO228

Material

Body:	forged brass acc. EN 12165; CW626N
Upper part:	PA6.6
Diaphragm:	EPDM
Spring:	spring steel
Spring guide:	stainless steel
Sealing:	EPDM
Round handle:	PA 6.6, green
Filter:	stainless steel
Bottom cover:	PA12, transparent
	(for articles 1 2682 1X)
Bottom cover:	Brass CW626N
	(for articles 1 2682 2X)



Order number	Dimension	PN	DN	G	L (mm)	L1 (mm)	B (mm)	H (mm)	H1 (mm)	Sw
1 2682 11	1/2"	16	15	1/2"	147	84	67	98	66	30
1 2682 12	3/4"	16	20	3/4"	155	84	67	98	66	37
1 2682 13	1"	16	25	1"	185	98	67	98	66	46
1 2682 14	1 1/4"	16	32	1 1/4"	204	120	78	156	100	52
1 2682 15	1 1/2"	16	40	1 1/2"	224	122	78	156	100	60
1 2682 16	1 1/4"	16	50	1 1/4"	252	136	78	156	100	75
1 2682 21	1/2"	16	15	1/2"	147	84	67	98	66	30
1 2682 22	3/4"	16	20	3/4"	155	84	67	98	66	37
1 2682 23	1"	16	25	1"	185	98	67	98	66	46