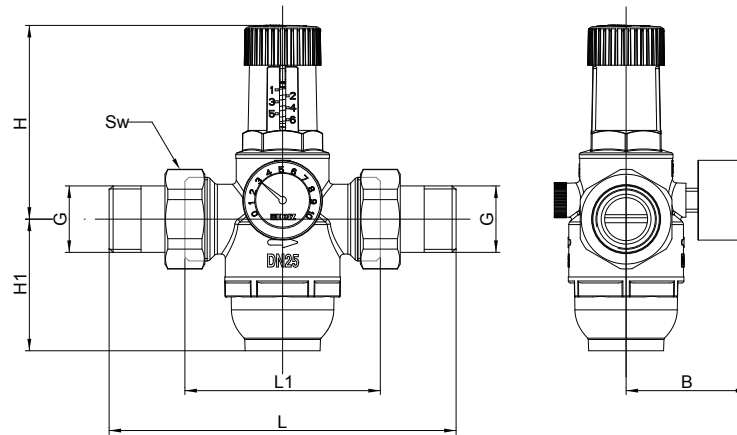


# HERZ - Diaphragm Pressure Reducing Valve

Data sheet **1 2682 XX**, Issue 0216

## ☑ Dimensions in mm



Model	Cap	Dimension	PN	DN	G	L [mm]	L1 [mm]	B [mm]	H [mm]	H1 [mm]	Sw
1 <b>2682</b> 11	plastic	1/2"	16	15	1/2"	147	84	67	98	66	30
1 <b>2682</b> 12	plastic	3/4"	16	20	3/4"	155	84	67	98	66	37
1 <b>2682</b> 13	plastic	1"	16	25	1"	185	98	67	98	66	46
1 <b>2682</b> 14	plastic	1-1/4"	16	32	1-1/4"	204	120	78	156	100	52
1 <b>2682</b> 15	plastic	1-1/2"	16	40	1-1/2"	224	122	78	156	100	60
1 <b>2682</b> 16	plastic	2"	16	50	2"	252	136	78	156	100	75
1 <b>2682</b> 21	brass	1/2"	16	15	1/2"	147	84	67	98	66	30
1 <b>2682</b> 22	brass	3/4"	16	20	3/4"	155	84	67	98	66	37
1 <b>2682</b> 23	brass	1"	16	25	1"	185	98	67	98	66	46

## ☑ Construction

Body:	forged brass acc. to EN 12165; CW626N
Upper part:	PA6.6
Diaphragm:	EPDM
Spring:	spring steel
Spring guide:	stainless steel
Sealing:	EPDM
Round handle:	PA 6.6, green
Filter:	stainless steel
Bottom cover:	PA12, transparent (for articles 1 <b>2682</b> 1X)
Bottom cover:	Brass CW626N (for articles 1 <b>2682</b> 2X)

## ☑ Specifications

Maximum inlet pressure:	16 bar
Outlet pressure range:	1-6 bar
Factory settings:	3 bar
Maximum temperature:	40°C (for articles 1 <b>2682</b> 1X)
Maximum temperature:	70°C (for articles 1 <b>2682</b> 2X)
Manometer scale:	0-10 bar
Mesh perforatio:	0.3mm
Medium:	water
Standard:	EN 1567
Pressure gauge connectors:	1/4" F (ISO 228-1)
Connectors:	external thread acc. to ISO 7-1 and ISO228


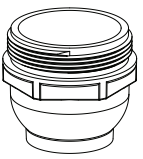
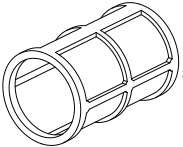
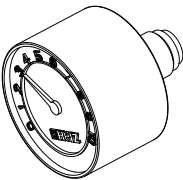
**☑ Assembly**

Before assembling rinse the system well. In potable water installations the pressure reducing valve is mounted behind the water meter. Install the pressure reducer in a horizontal position with the filter facing down. Take care of the flow direction, indicated on the housing. Proper operation requires a straight piece of at least 5x DN pipe before and after the pressure reducer. The attached manometer (can be mounted on both sides of the pressure reducer). Before and after the pressure reducer, it is necessary to install a closing valve.

**☑ Application and maintenance**

The pressure reducing valve protects installations against over pressure (reduces input pressure to a working level). It can also be used in heating systems to protect boiler against increased pressure. The outlet pressure is adjustable and does not vary with changes of the inlet pressure. The outlet pressure can be adjusted by turning the green handle. Turning the handle clockwise increases the outlet pressure. Turning above the stated values on the pressure reducer scale may damage the valve. We recommend the max. outlet pressure of 4 bar for private house installations (product long life, costs,...). After each new setting of the outlet pressure, the regulated pipe has to be opened and closed. We recommend maintenance by authorized installers according to DIN 1988. Check the filter condition in the regulator several times a year and, if it is necessary, clean or replace it with a new one. Tool for maintenance is included in every box of pressure reducer.

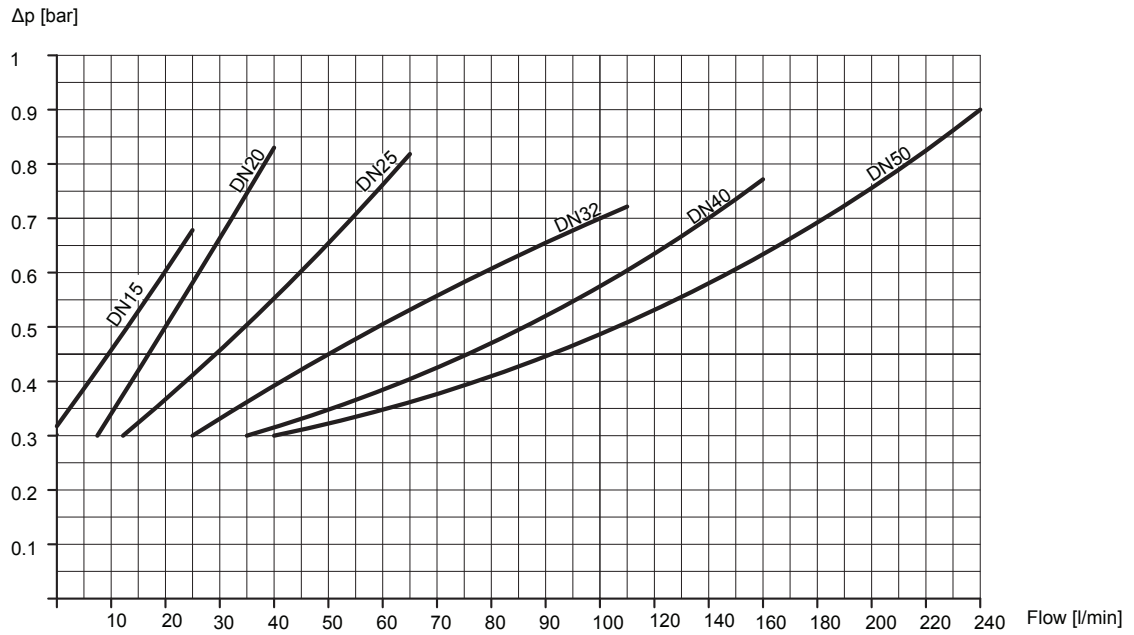
**☑ Spare Parts**

Illustration	Description	Item number
	Tool for maintenance	1 <b>2682 27</b>
	plastic cover	1 <b>2682 30</b> (DN15-DN25) 1 <b>2682 31</b> (DN32-DN50)
	brass cover	1 <b>2682 32</b> (DN15-DN25) 1 <b>2682 33</b> (DN32-DN50)
	Filter	1 <b>2682 28</b> (DN15-DN25) 1 <b>2682 29</b> (DN32-DN50)
	Manometer	1 <b>2682 34</b>

**☑ Nominal flow rates standard EN 1567**

Size	DN 15	DN 20	DN 25	DN 32	DN 40	DN 50
<b>Flow rate</b> [m <sup>3</sup> /h]	1,27	2,27	3,6	5,8	9,1	14
<b>Flow rate</b> [l/min]	21,16	37,83	60	96,66	151,66	233,33

Pressure drop diagram



**Please note:** All specifications and information within this document are reflecting the information available at the time of going to print and meant for informational purpose only. Herz Armaturen reserves the right to modify and change products as well as its technical specifications and/or its function according to technological progress and requirements. All diagrams are indicative in nature and do not to be complete. It is understood that all images of Herz products are symbolic representations and therefore may visually differ from the actual product. Colours may differ due to printing technology used. In case of any further questions don't hesitate to contact your closest HERZ Branch-Office.